



# **TFL**

***The Full Lumen.***

Your new partner in LED lighting

## Solar LED street light



1800LM/3600LM

4800LM/6400LM

10200LM/13600LM

18000LM/21000LM

---

[www.thefulllumen.com.au](http://www.thefulllumen.com.au)

# The Full Lumen



1800LM/3600LM

4800LM/6400LM

10200LM/13600LM

18000LM/21000LM



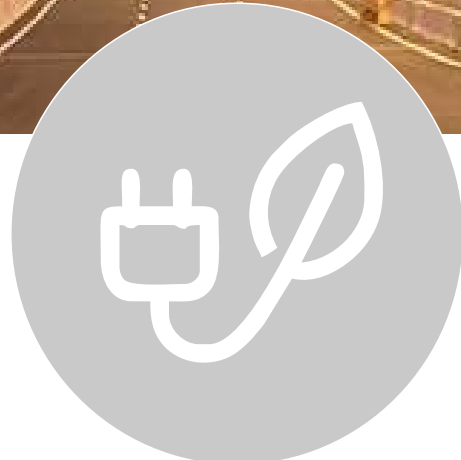
### LED Solar Street light

Stand-alone product: no electricity bill, no grid connection. Up to 30% fewer poles compared to other solar street lights.



### All-in-one Solution

Plug & play for easy installation in a few minutes. Completely autonomous solution, easy to move at a later date (e.g. construction, natural disasters, public events).



### Versatile And Powerful Lighting

Lumens output of 1800 to 21000. Complies with street lighting standards.



### Motion Sensor Option

Increases light intensity automatically when movement is detected to ensure security and energy conservation.



### Longer Lifespan

Innovative high heat resistance military grade Lifepo4 battery, advances natural cooling & intelligent lighting management.

# The Full Lumen

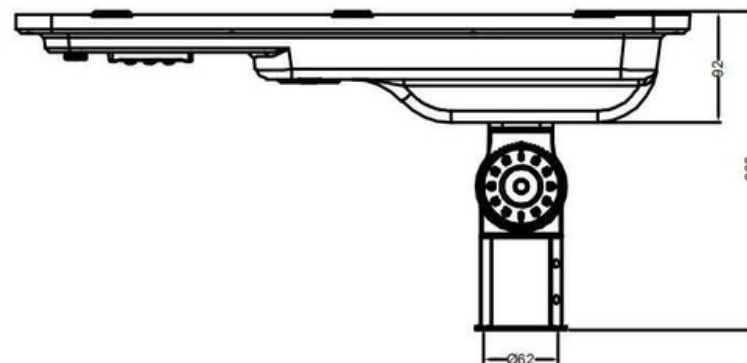
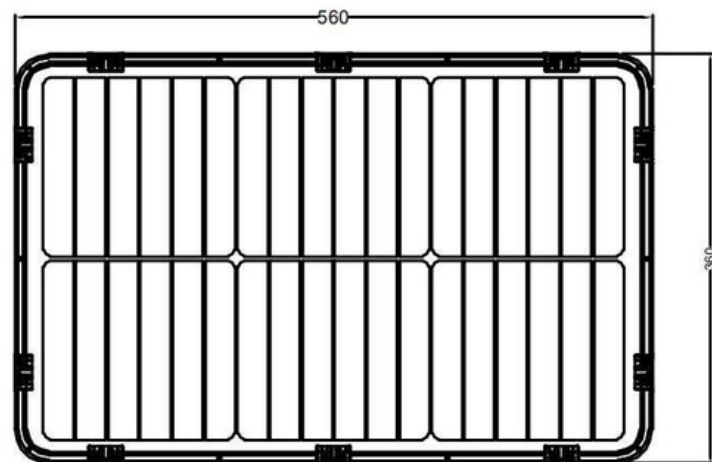


## Specifications

PERFORMANCE SUMMARY	
Model	RMS-H210410
Rated Power	10W
System Lumen	1800LM
System Efficiency	160~180lm/W
CRI	Ra>70
Color Temp.	30K/40K/57K
Optics	Type II, Type III, Type IV
Operating Temp.	-20°C to 50°C
Ingress Protection	IP66, IK08
Motion Sensor	Mircoware
L70 Life	50,000hours
Warranty	5 Years

DIMENSIONAL DRAWING	
Length(L)	560mm
Width(W)	360mm
Height(H)	265mm

Unit: mm

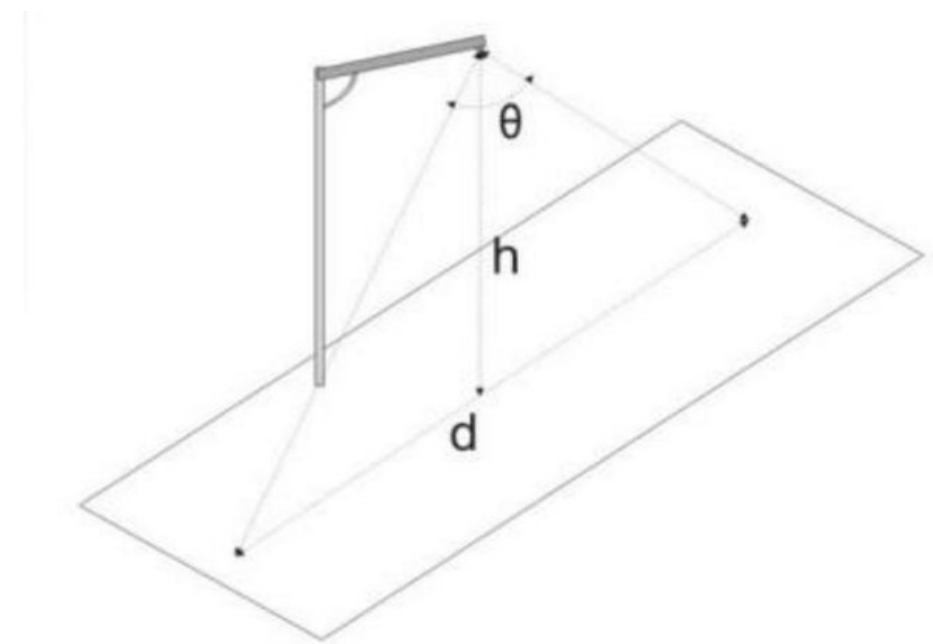


SOLAR PANEL RATED VOLTAGE	
Rated Voltage	18V
Rated Power	30W

SOLAR CHARGER	
Operating Voltage	12V
Motion Activated Funtion	Yes

BATTERY PACK	
Battery Type	Lifepo4
Operating Voltage	12.8V
Capacity	6.5Ah
Starting Temp.	-20°C

DETECTION DISTANCE		
	PIR	Microwave
$\theta$	100°	100°
h	6-8M	6-10M
d	14-18M	14-22M



# The Full Lumen

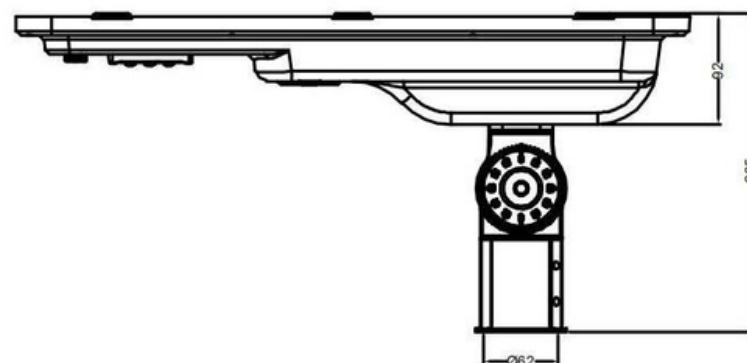
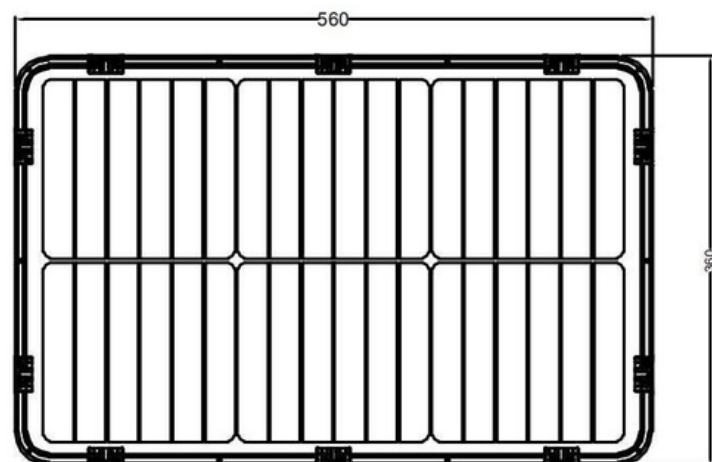


## Specifications

PERFORMANCE SUMMARY	
Model	RMS-H210420
Rated Power	20W
System Lumen	3600LM
System Efficiency	160~180lm/W
CRI	Ra>70
Color Temp.	30K/40K/57K
Optics	Type II, Type III, Type IV
Operating Temp.	-20°C to 50°C
Ingress Protection	IP66, IK08
Motion Sensor	Mircoware
L70 Life	50,000hours
Warranty	5 Years

DIMENSIONAL DRAWING	
Length(L)	560mm
Width(W)	360mm
Height(H)	265mm

Unit: mm

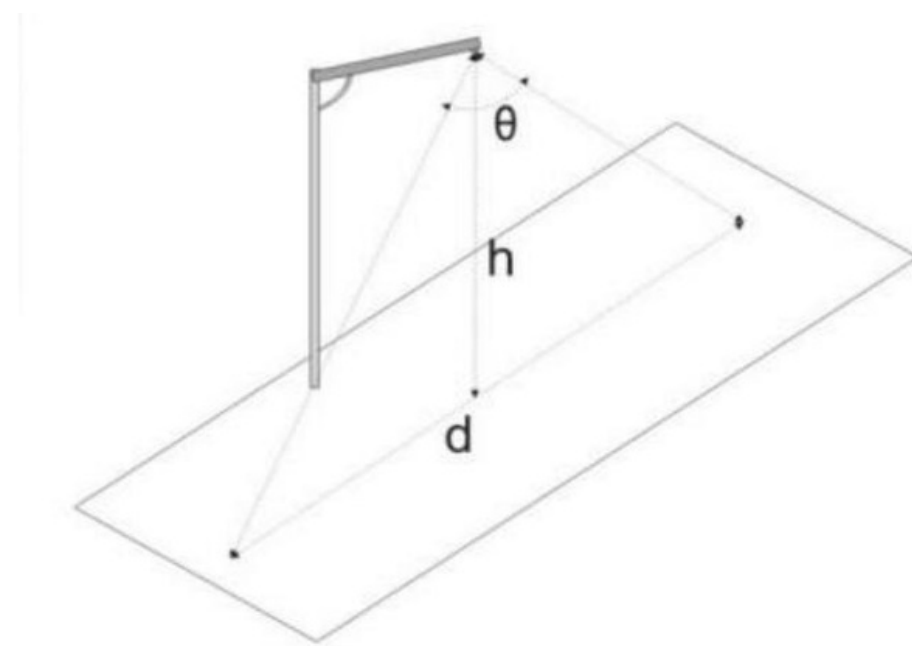


SOLAR PANEL RATED VOLTAGE	
Rated Voltage	18V
Rated Power	30W

SOLAR CHARGER	
Operating Voltage	12V
Motion Activated Funtion	Yes

BATTERY PACK	
Battery Type	Lifepo4
Operating Voltage	12.8V
Capacity	10.2Ah
Starting Temp.	-20°C

DETECTION DISTANCE		
	PIR	Microwave
$\theta$	100°	100°
h	6-8M	6-10M
d	14-18M	14-22M



# The Full Lumen

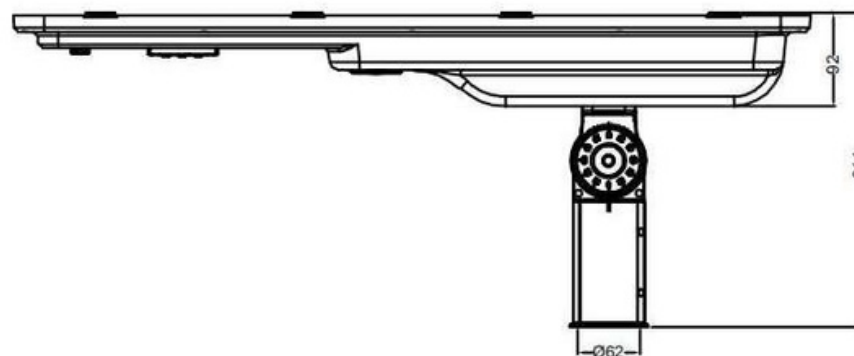
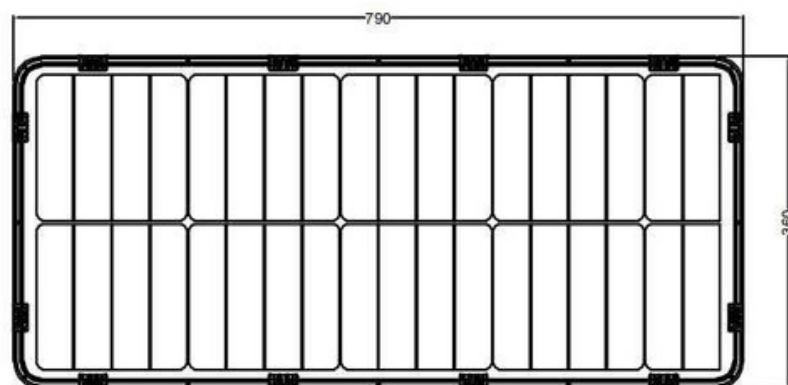


## Specifications

PERFORMANCE SUMMARY	
Model	RMS-H210430
Rated Power	30W
System Lumen	4800LM
System Efficiency	160~180lm/W
CRI	Ra>70
Color Temp.	30K/40K/57K
Optics	Type II, Type III, Type IV
Operating Temp.	-20°C to 50°C
Ingress Protection	IP66, IK08
Motion Sensor	Mircoware
L70 Life	50,000hours
Warranty	5 Years

DIMENSIONAL DRAWING	
Length(L)	790mm
Width(W)	360mm
Height(H)	311mm

Unit: mm

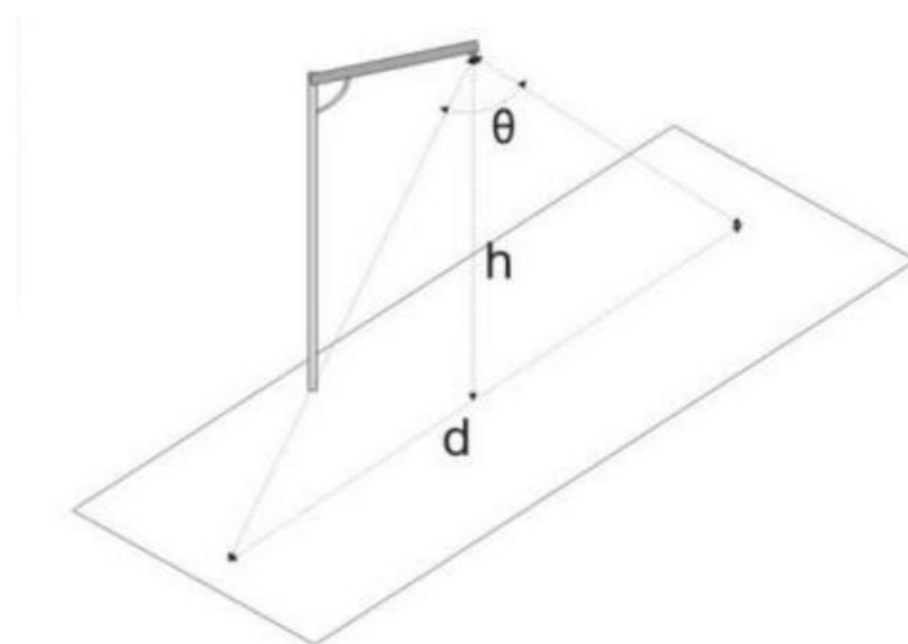


SOLAR PANEL RATED VOLTAGE	
Rated Voltage	18V
Rated Power	50W

SOLAR CHARGER	
Operating Voltage	12V
Motion Activated Funtion	Yes

BATTERY PACK	
Battery Type	Lifepo4
Operating Voltage	12.8V
Capacity	20.4Ah
Starting Temp.	-20°C

DETECTION DISTANCE		
	PIR	Microwave
$\theta$	100°	100°
h	6-8M	6-10M
d	14-18M	14-22M



# The Full Lumen



## Specifications

PERFORMANCE SUMMARY	
Model	RMS-H210440
Rated Power	40W
System Lumen	6400LM
System Efficiency	160~180lm/W
CRI	Ra>70
Color Temp.	30K/40K/57K
Optics	Type II, Type III, Type IV
Operating Temp.	-20°C to 50°C
Ingress Protection	IP66, IK08
Motion Sensor	Mircoware
L70 Life	50,000hours
Warranty	5 Years

DIMENSIONAL DRAWING	
Length(L)	790mm
Width(W)	360mm
Height(H)	311mm

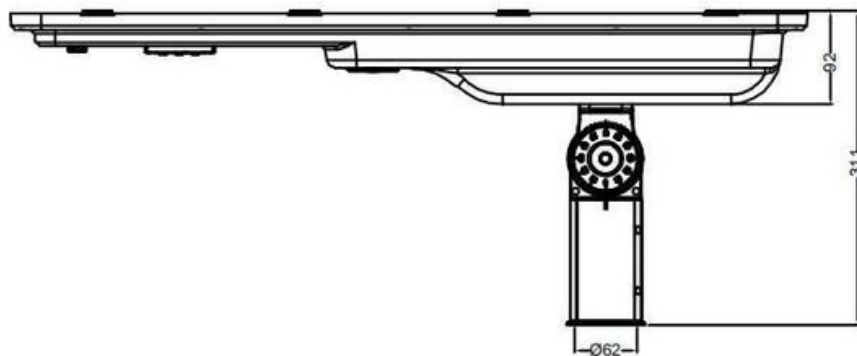
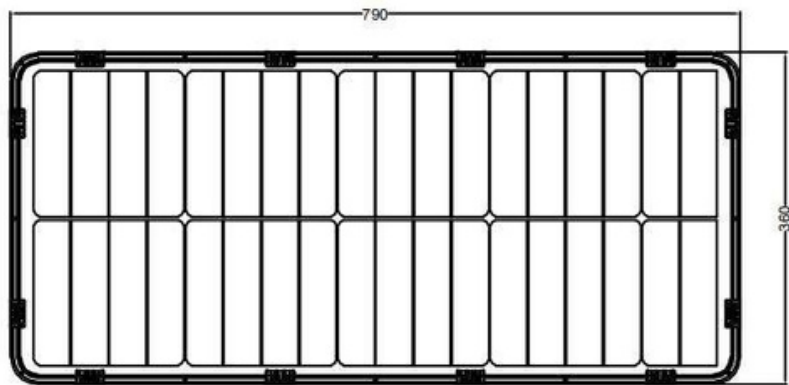
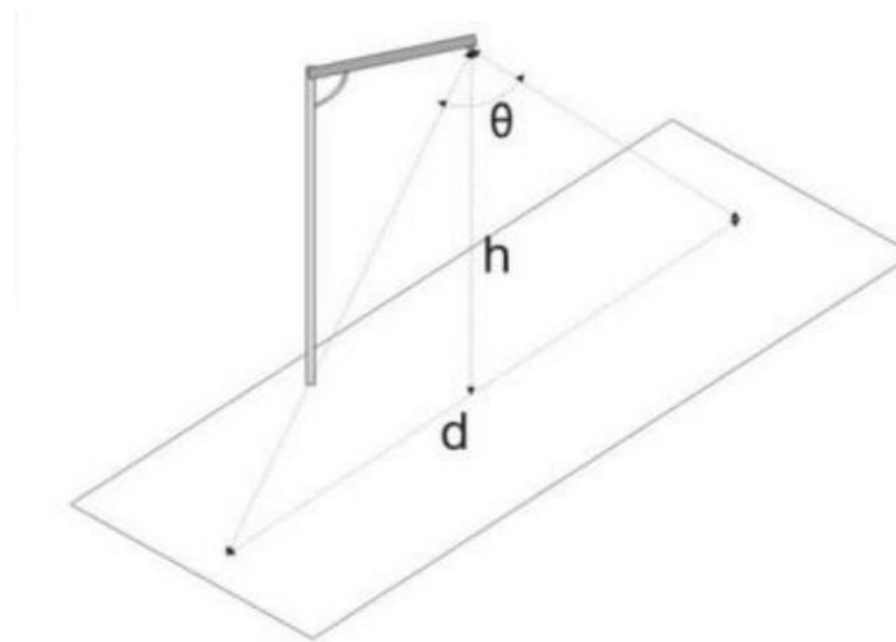
Unit: mm

SOLAR PANEL RATED VOLTAGE	
Rated Voltage	18V
Rated Power	50W

SOLAR CHARGER	
Operating Voltage	12V
Motion Activated Funtion	Yes

BATTERY PACK	
Battery Type	Lifepo4
Operating Voltage	12.8V
Capacity	34AH
Starting Temp.	-20°C

DETECTION DISTANCE		
	PIR	Microwave
$\theta$	100°	100°
h	6-8M	6-10M
d	14-18M	14-22M



# The Full Lumen

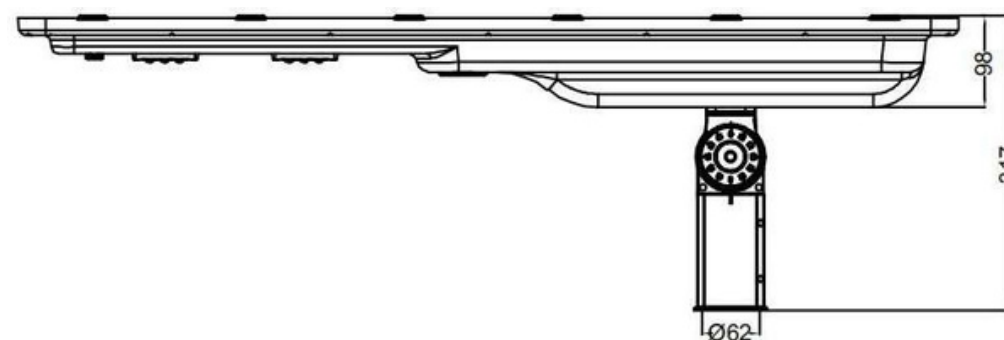
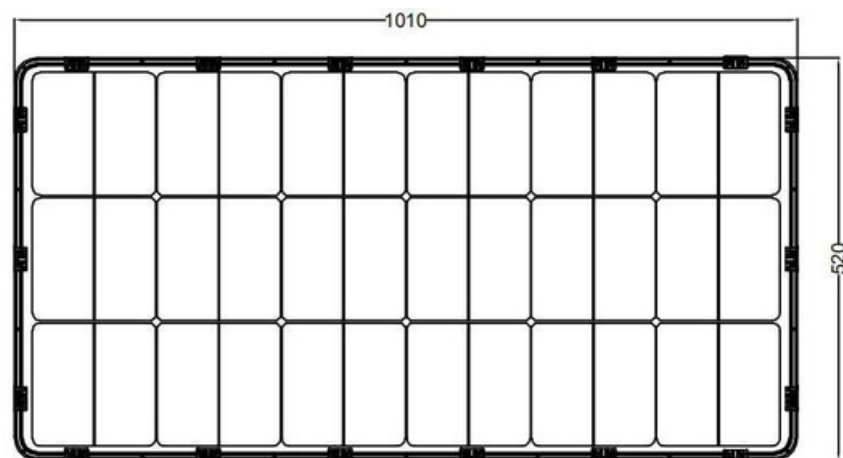


## Specifications

PERFORMANCE SUMMARY	
Model	RMS-H210460
Rated Power	60W
System Lumen	10200LM
System Efficiency	160~180lm/W
CRI	Ra>70
Color Temp.	30K/40K/57K
Optics	Type II, Type III, Type IV
Operating Temp.	-20°C to 50°C
Ingress Protection	IP66, IK08
Motion Sensor	Mircoware
L70 Life	50,000hours
Warranty	5 Years

DIMENSIONAL DRAWING	
Length(L)	1010mm
Width(W)	520mm
Height(H)	317mm

Unit: mm

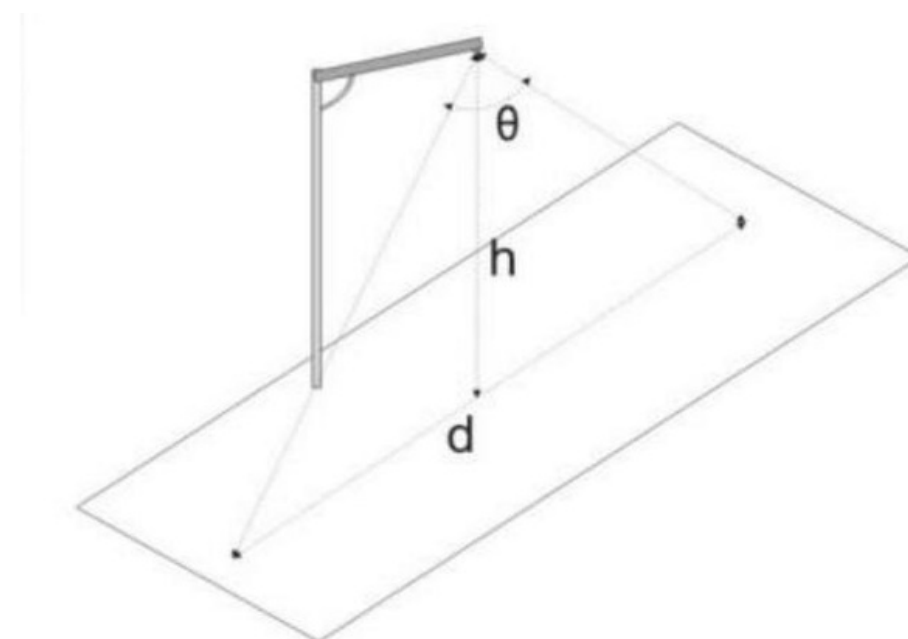


SOLAR PANEL RATED VOLTAGE	
Rated Voltage	18V
Rated Power	95W

SOLAR CHARGER	
Operating Voltage	12V
Motion Activated Funtion	Yes

BATTERY PACK	
Battery Type	Lifepo4
Operating Voltage	12.8V
Capacity	44.2Ah
Starting Temp.	-20°C

DETECTION DISTANCE		
	PIR	Microwave
$\theta$	100°	100°
h	6-8M	6-10M
d	14-18M	14-22M



# The Full Lumen

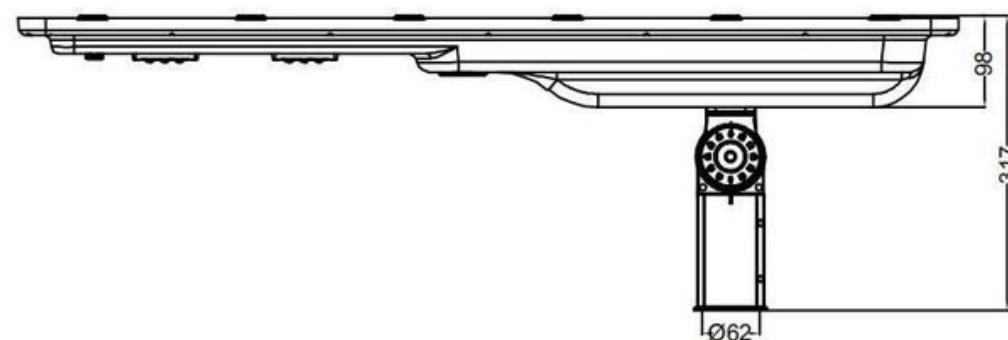
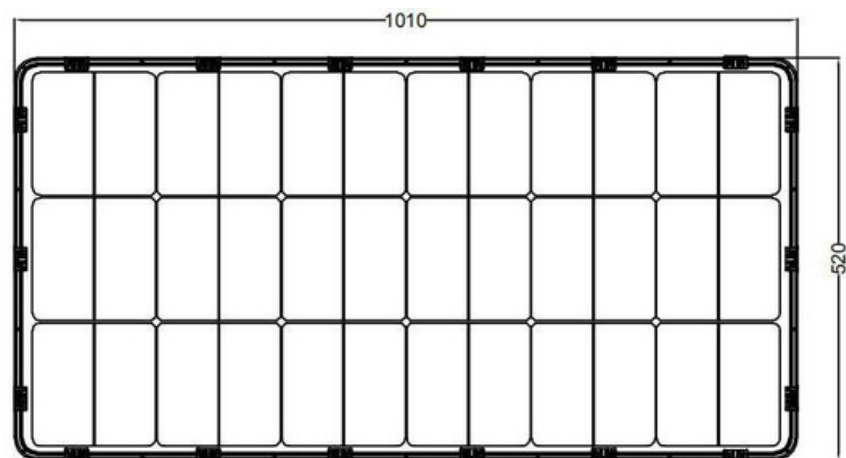


## Specifications

PERFORMANCE SUMMARY	
Model	RMS-H210480
Rated Power	80W
System Lumen	13600LM
System Efficiency	160~180lm/W
CRI	Ra>70
Color Temp.	30K/40K/57K
Optics	Type II, Type III, Type IV
Operating Temp.	-20°C to 50°C
Ingress Protection	IP66, IK08
Motion Sensor	Mircoware
L70 Life	50,000hours
Warranty	5 Years

DIMENSIONAL DRAWING	
Length(L)	1010mm
Width(W)	520mm
Height(H)	317mm

Unit: mm

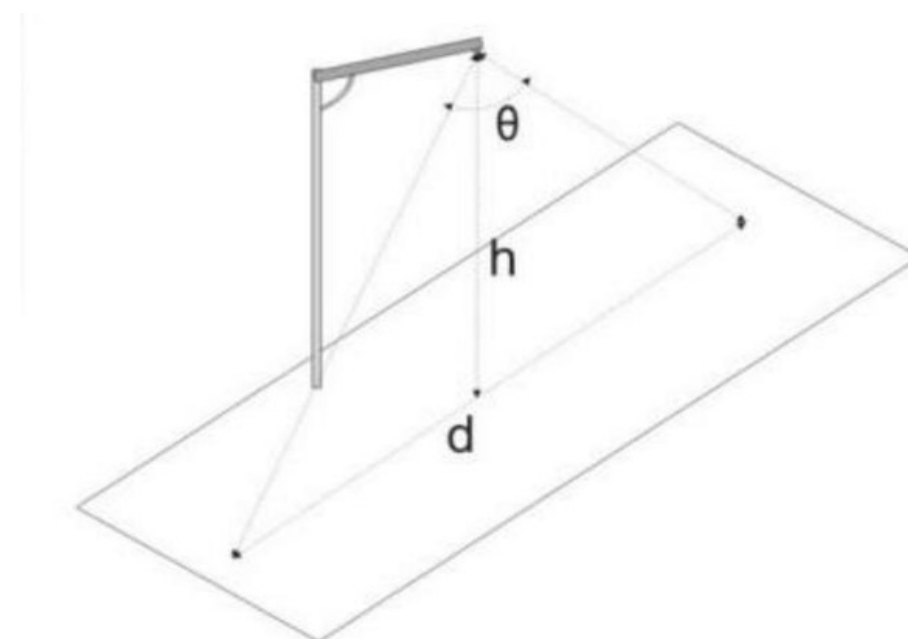


SOLAR PANEL RATED VOLTAGE	
Rated Voltage	18V
Rated Power	95W

SOLAR CHARGER	
Operating Voltage	12V
Motion Activated Funtion	Yes

BATTERY PACK	
Battery Type	Lifepo4
Operating Voltage	12.8V
Capacity	51Ah
Starting Temp.	-20°C

DETECTION DISTANCE		
	PIR	Microwave
$\theta$	100°	100°
h	6-8M	6-10M
d	14-18M	14-22M





# The Full Lumen

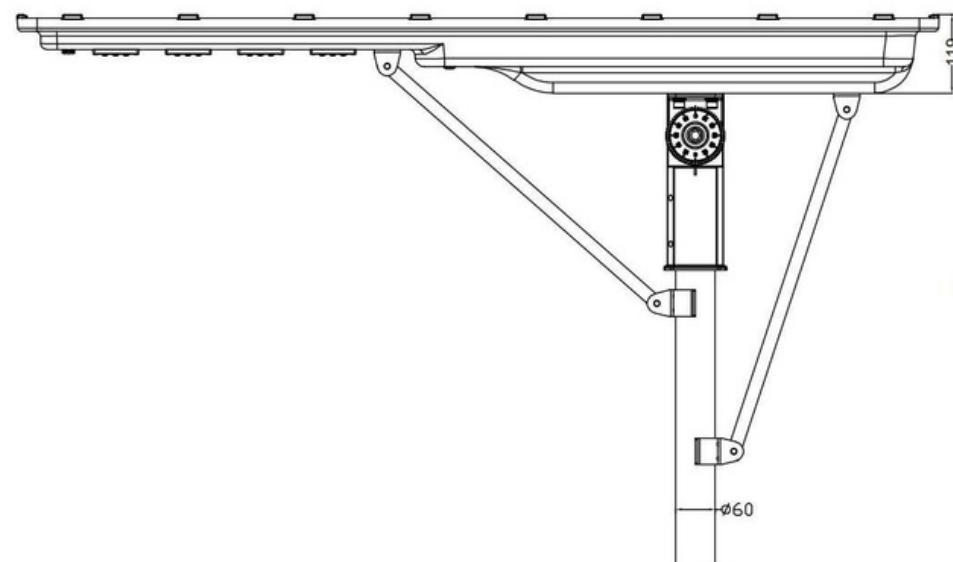
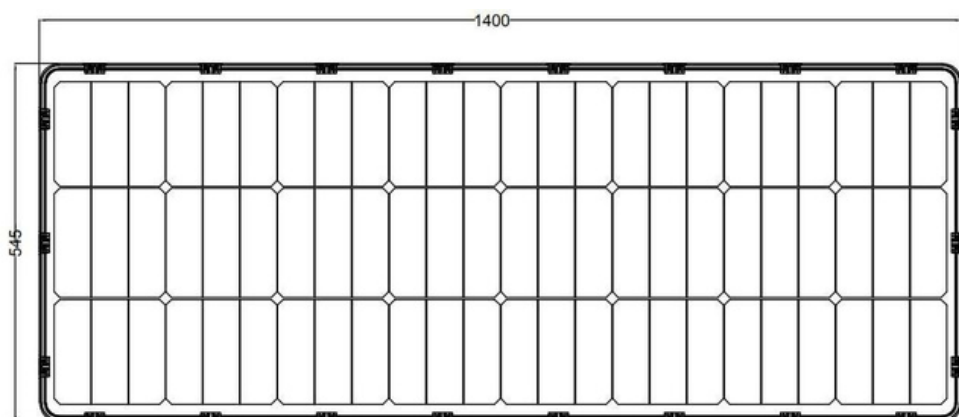


## Specifications

PERFORMANCE SUMMARY	
Model	RMS-H2104100
Rated Power	100W
System Lumen	18000LM
System Efficiency	160~180lm/W
CRI	Ra>70
Color Temp.	30K/40K/57K
Optics	Type II, Type III, Type IV
Operating Temp.	-20°C to 50°C
Ingress Protection	IP66, IK08
Motion Sensor	Mircoware
L70 Life	50,000hours
Warranty	5 Years

DIMENSIONAL DRAWING	
Length(L)	1400mm
Width(W)	545mm
Height(H)	838mm

Unit: mm

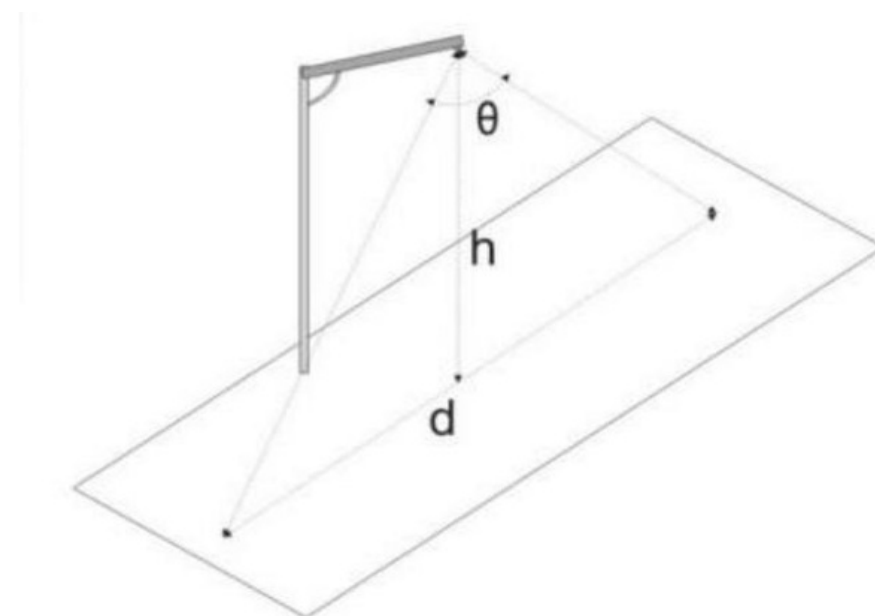


SOLAR PANEL RATED VOLTAGE	
Rated Voltage	18V
Rated Power	145W

SOLAR CHARGER	
Operating Voltage	12V
Motion Activated Funtion	Yes

BATTERY PACK	
Battery Type	Lifepo4
Operating Voltage	25.6V
Capacity	34Ah
Starting Temp.	-20°C

DETECTION DISTANCE		
	PIR	Microwave
$\theta$	100°	100°
h	6-8M	6-10M
d	14-18M	14-22M



# The Full Lumen

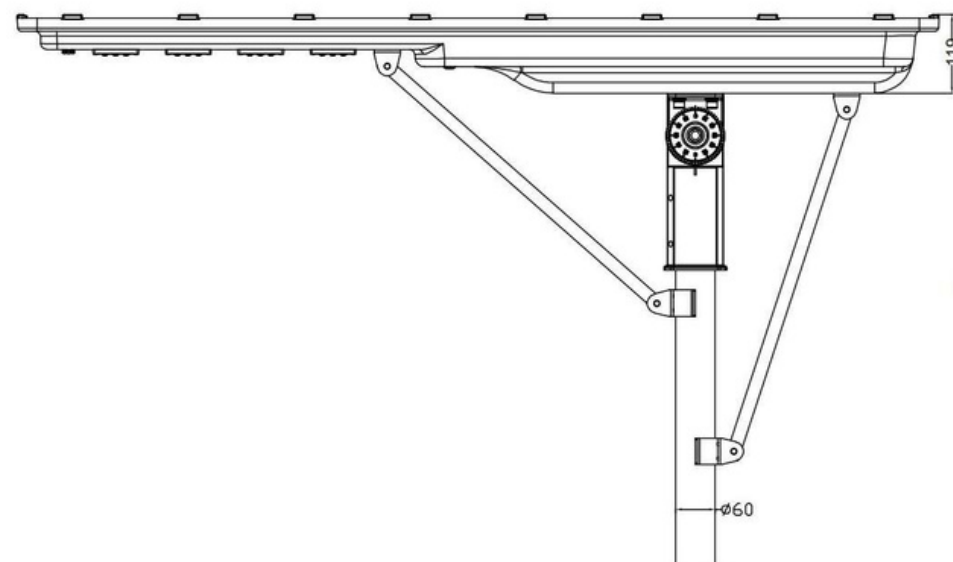
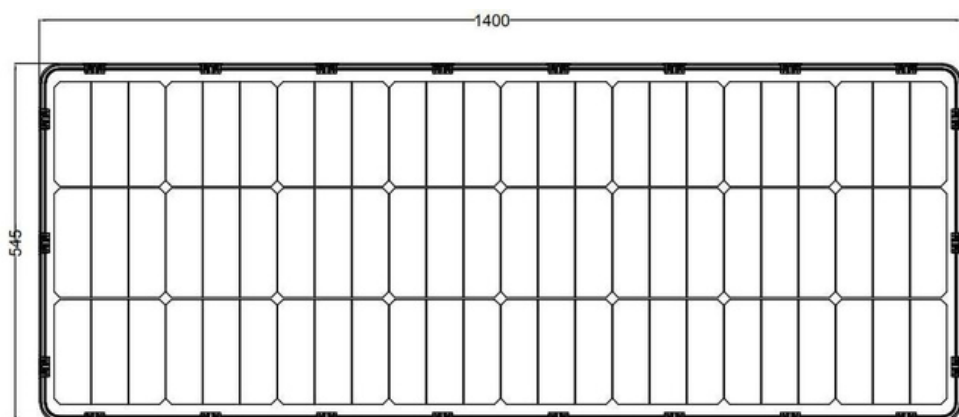


## Specifications

PERFORMANCE SUMMARY	
Model	RMS-H2104120
Rated Power	120W
System Lumen	21000LM
System Efficiency	160~180lm/W
CRI	Ra>70
Color Temp.	30K/40K/57K
Optics	Type II, Type III, Type IV
Operating Temp.	-20°C to 50°C
Ingress Protection	IP66, IK08
Motion Sensor	Mircoware
L70 Life	50,000hours
Warranty	5 Years

DIMENSIONAL DRAWING	
Length(L)	1400mm
Width(W)	545mm
Height(H)	838mm

Unit: mm

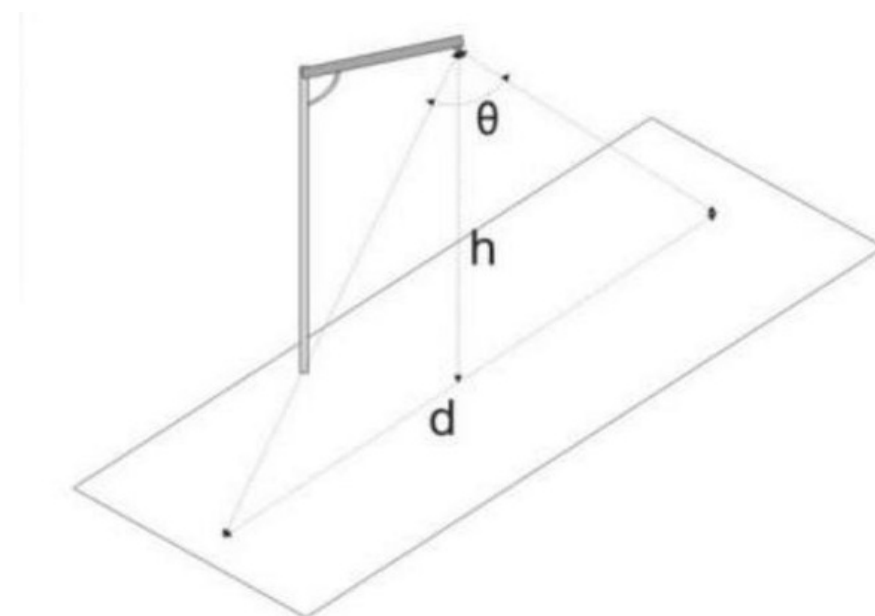


SOLAR PANEL RATED VOLTAGE	
Rated Voltage	36V
Rated Power	145W

SOLAR CHARGER	
Operating Voltage	12V
Motion Activated Funtion	Yes

BATTERY PACK	
Battery Type	Lifepo4
Operating Voltage	25.6V
Capacity	47.6Ah
Starting Temp.	-20°C

DETECTION DISTANCE		
	PIR	Microwave
$\theta$	100°	100°
h	6-8M	6-10M
d	14-18M	14-22M



# The Full Lumen



## Details

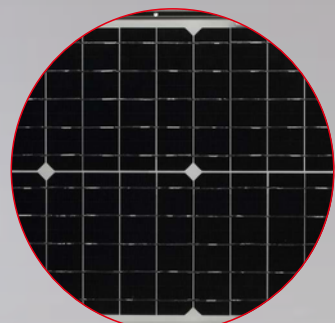
### Die-cast Aluminium Lamp Body

Impact and corrosion resistant, UV resistant powder coating Rated for outdoor use.



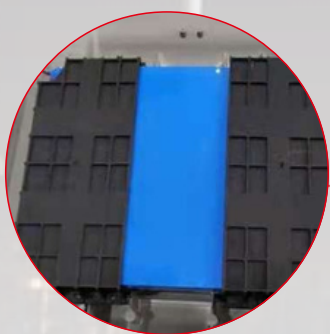
### Solar Panel

High efficiency monocrystalline silicon solar panels, more than 22% charging efficiency



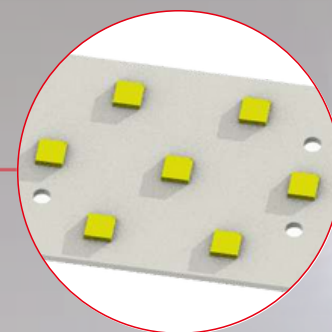
### LifePo4 Lithium Battery

Military grade LifePo4 lithium battery, high efficient and eco-friendly, longer service life comparing to normal lithium ternary battery



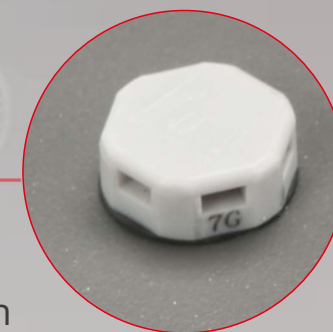
### Bridgelux SMD5050 LED

Lm80 listed with long lifespan, high luminous efficiency can up to 170LPW



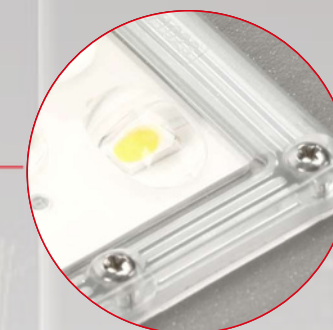
### Respirator design

Protect against dust and water, allows air exchange to avoid any foggy conditions



### PC Lens

High light transmittance PC optical lens, offers T3/4/5 distribution patterns for precise light delivery



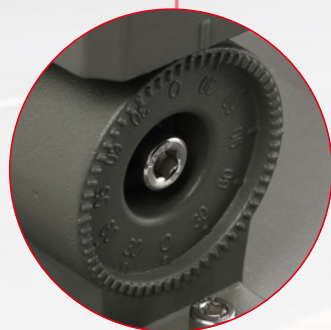
### On/Off Switch Button

Make sure the lamps turn off during shipment, easy to control the lighting conditions



### Adjustable bracket

Easy installation, can adjust the mounting angle according to sunlight illumination



### Motion Sensor

Increases light intensity automatically when movement is detected to ensure security and energy conservation



# The Full Lumen



Superior protection in extreme conditions.



# IP66

## Intelligence Control

### 2-in 1 sensor

- \* Detecting natural light Intensity and motion
- \* Automatically turns on, off or dims down



Day



Without human body induction at night



With human body induction at night

The intelligent control system can operate without interruption, ensuring effective lighting.

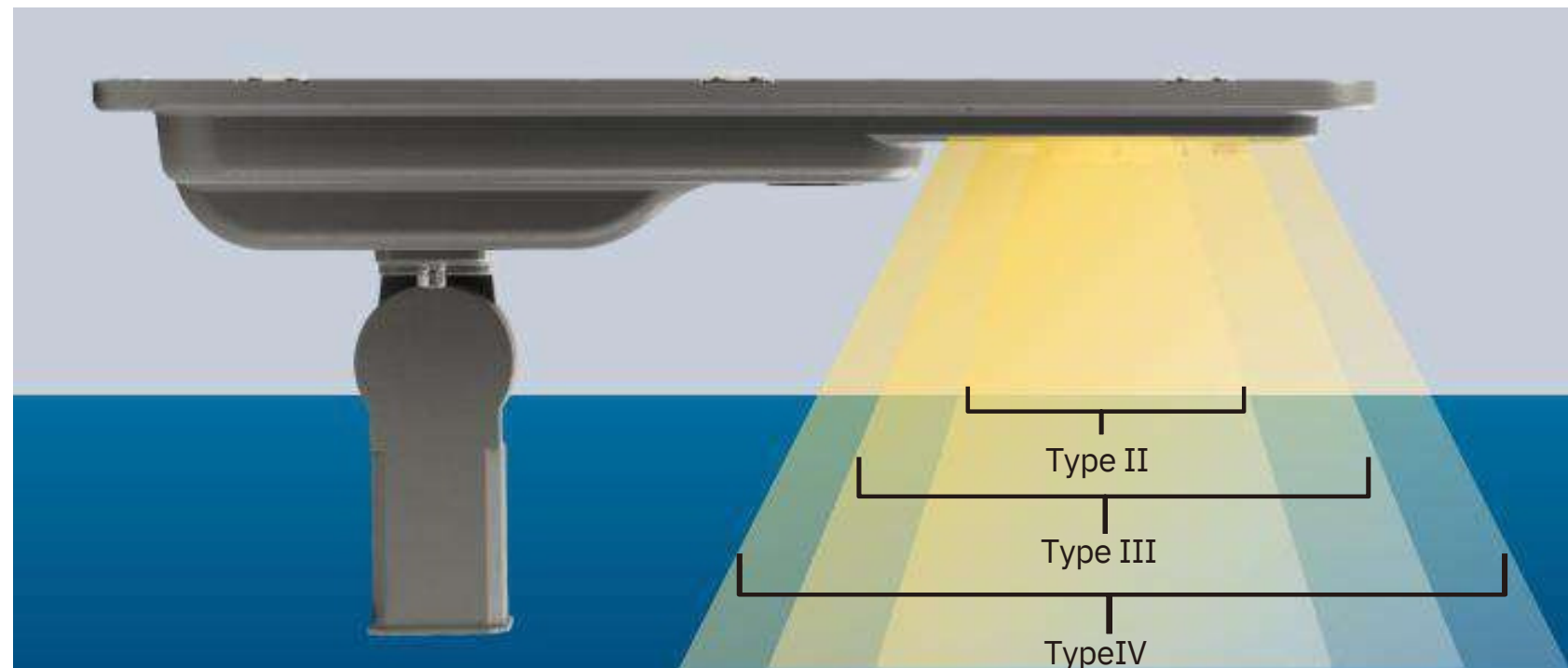
### Scheduling

\* Customized scheduling is available

Control System		
Induction time	Motion detected	No motion detected
2H	100%	50%
3H	50%	30%
6H	20%	10%
1H	30%	10%

## Beam Angle

Choose from Type II, III, IV  
Applicable from street lighting to area lighting



# *The Full Lumen*



1800LM/3600LM



4800LM/6400LM



10200LM/13600LM



18000LM/21000LM

# **TFL**

**The Full Lumen.** Your new partner in LED lighting.

[www.thefulllumen.com.au](http://www.thefulllumen.com.au)